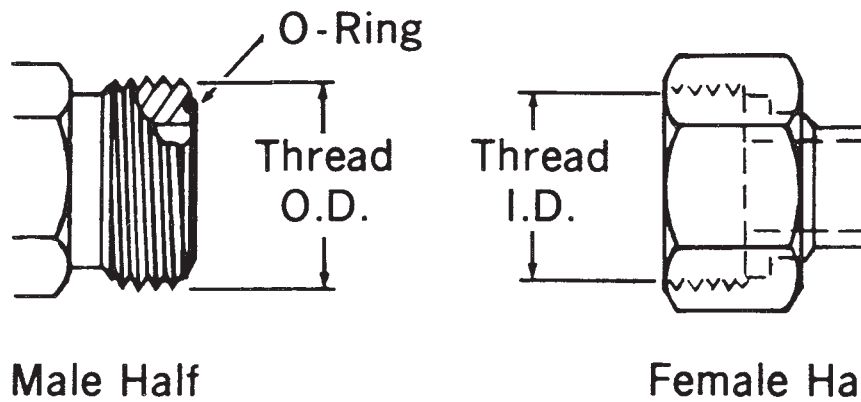




SAE O-Ring Face Seal

This connection offers the very best leakage control available today. The male connector has a straight thread and an O-Ring in the face. The female has a straight thread and a machined flat face. The seal takes place by compressing the O-Ring onto the flat face of the female, similar to the split flange type fitting. The threads hold the connection mechanically.



Inch Size	Dash Size	Nominal Thread Size	Male Thread O.D. (in)	Female Thread I.D. (in)
1/4	04	9/16-18	9/16 (.56)	17/32 (.51)
3/8	06	11/16-16	11/16 (.69)	5/8 (.63)
1/2	08	13/16-16	13/16 (.82)	3/4 (.75)
5/8	10	1-14	1 (1.00)	15/16 (.93)
3/4	12	1 3/16-12	1 3/16 (1.19)	1 1/8 (1.11)
1	16	1 7/16-12	1 7/16 (1.44)	1 3/8 (1.36)
1 1/4	20	1 11/16-12	1 11/16 (1.69)	1 5/8 (1.61)
1 1/2	24	2-12	2 (2.00)	1 15/16 (1.92)